

X4Pro

Industrial Fixed Scanner

X4Pro is a high-performance industrial code reader based on visual recognition technology designed specifically for dynamic barcode collection on medium to high speed assembly lines; Can recognize ultra small barcodes such as high-density laser engraving QR codes/label QR codes. X4Pro can be applied in scenarios such as SMT assembly line mobile code reading, assembly assembly line picking/assembly code reading, and packaging code assignment process code reading. The X4Pro features a 2 megapixel 1920 x 1080 high-resolution sensor, an autozoom lens, and a brand new multi-core processor, suitable for 90 degree vertical installation and code reading applications with easily reflective object surfaces. The X4Pro comes with a "Tune" one click quick coordination button, making offline debugging easier.



Product Features



Wide field reading

Can capture up to 64 barcode images at once and read them simultaneously



High speed dynamic reading

High speed dynamic barcode collection up to 3m/s



Remote reading

Can adapt to installation heights of 65mm~650mm, allowing users to install



Difficulty barcode reading

Image processing algorithms such as dilation, corrosion, and Gaussian filtering are included: low-quality barcodes have better adaptability



Website:
engonus.es



Service Mail
info@engonus.es

1. Specifications

Model		X4Pro		
Receiver	Sensor	CMOS Image Sensor with global shutter		
	Number of pixels	1920 x 1080		
Light emitter	Light source	High-intensity red/white LED and blue LED		
	Aimer	Laser dual-point positioning aimer Class II		
Focus adjustment		Automatic		
Reading specifications	Supported symbol	1D	Code128,GS1 128,Code39,Code93,codabar,2of5 (Industrial 2of5),EAN/UPC	
		2D	QR、DataMatrix (ECC200)、PDF417、Micro PDF417	
	Minimum resolution	1D	3.3 mil	
		2D	2.0 mil	
Reading distance		65 mm to 650 mm		
I/O specifications	Control input	Points	2	
		Input type	Bidirectional voltage input	
		Maximum rating	30 V	
		Minimum ON voltage	< 4 V	
		Maximum OFF current	0.001 A	
	Control output	Points	3	
		Output type	2 optocoupler output;1 relay output	
		Maximum rating	30 V	
		Maximum load current	1 output: 50 mA or less, 2-output total: 100 mA or less	
		Leakage current when OFF	0.1 mA or less	
		Residual voltage when ON	1 V or less	
	Ethernet	Supported protocol	TCP Client, TCP Server, FTP, Profinet, MELSEC, Ethernet/IP, ModBusTcp(poll/slave), Fins	
	Serial communication	Communication speed	115200/57600/38400/19200/9600 bps	
		Supported protocol	RS232/RS485	
USB	Communication standard	USB 2.0 Full Speed compliant		
Environmental Resistance	Enclosure rating		IP65	
	Ambient temperature		0° to 50°C	
	Ambient storage temperature		-20°C to 70°C	
	Relative humidity		5 to 95% RH (No condensation)	
	Storage ambient humidity		5 to 95% RH (No condensation)	
	Ambient light		0 to 10000 lux	
	Operating environment		No dust or corrosive gas present	
Rating	Power supply voltage		10 to 30 VDC	
	Current consumption		0.2 to 0.7 A	
Weight		Approx. 194.5 g		
Dimensions (L x W x H)		72 mm x 52 mm x 40.5 mm		



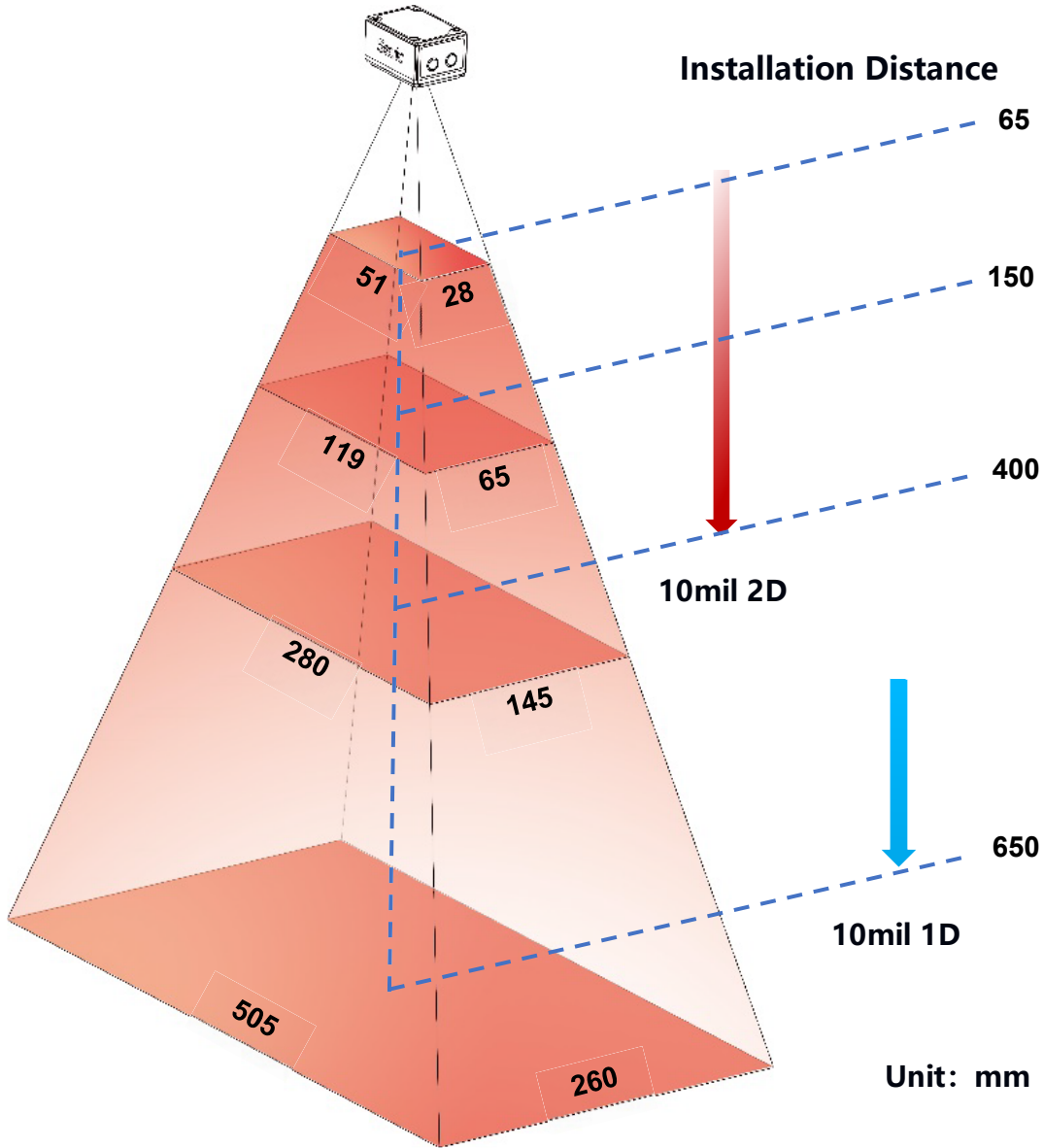
Website:
engonus.es



Service Mail
info@engonus.es

2. Field of View and Installation Distance

X4Pro supports focusing in the range of 65mm ~ 650mm, and also supports automatic and manual focusing



Website:
engonus.es



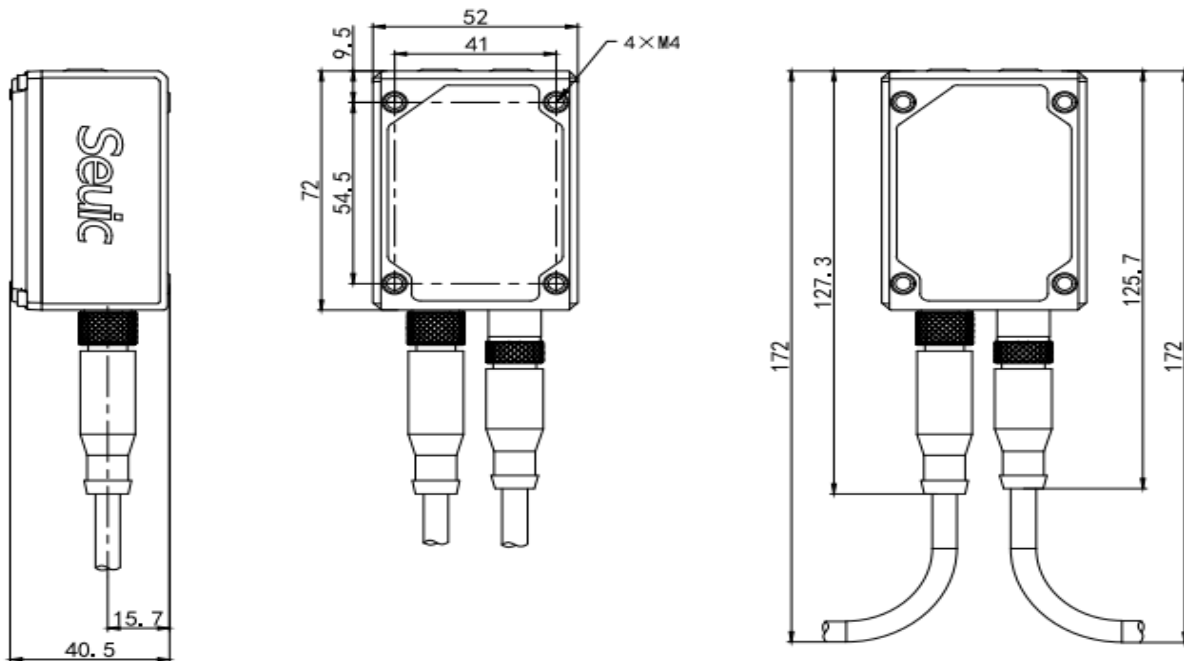
Service Mail
info@engonus.es

3. Field Of View (Typical Example)

Distance (mm)	2D	Distance (mm)	1D
65-100	3.3mil	65-230	3.3mil
65-200	5 mil		
65-250	6.6mil		
65-280	7.5 mil	65-500	6.6mil
65-400	10 mil		
65-500	15 mil		
65-600	20 mil	65-600	10 mil

Distance (mm)	Field of View (mm)	
65	51	28
100	75	41
150	119	65
220	165	92
230	169	96
250	183	102
280	207	115
300	218	122
400	280	145
500	353	195
600	415	235
650	505	260

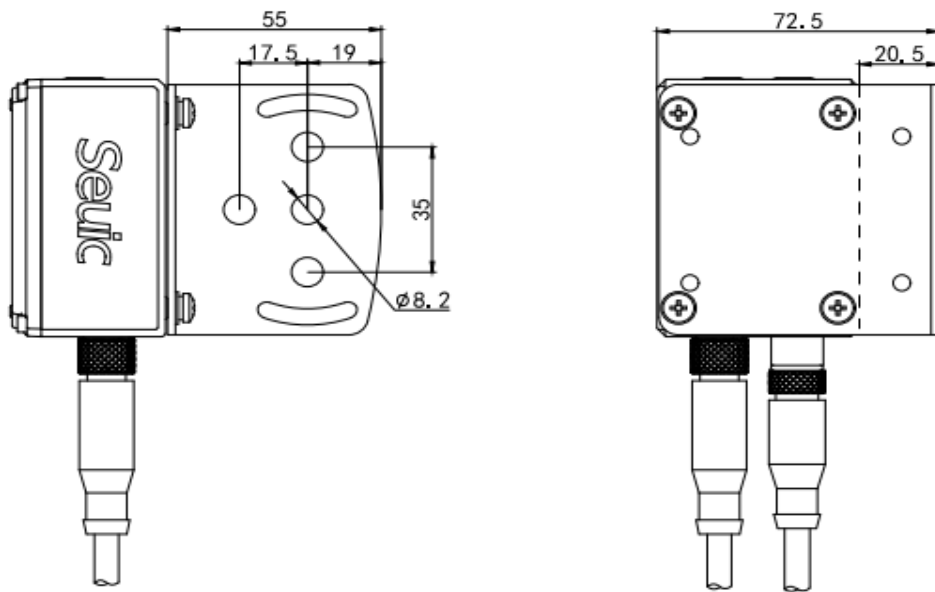
4. Dimensions



Website:
engonus.es



Service Mail
info@engonus.es



5. External Equipment and Accessories

	Details
Standard Accessories	1.Power Adapter: X4Pro-24V_CBL 2.RS232 Cable: X4Pro-RS232&R485&IO_CBL 3.Eth Cable: X4Pro-RJ45PLUG_CBL 4.USB Cable: X4Pro-USB_CBL 5.Reflector Attachment: X4Pro-Polarizer 6.Standard Attachment: X4Pro-Window



Website:
engonus.es



Service Mail
info@engonus.es